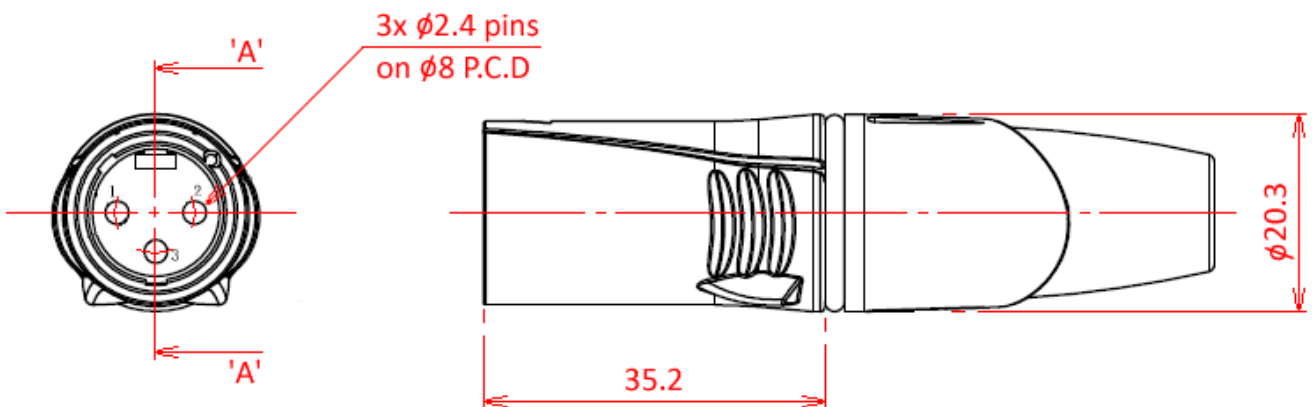
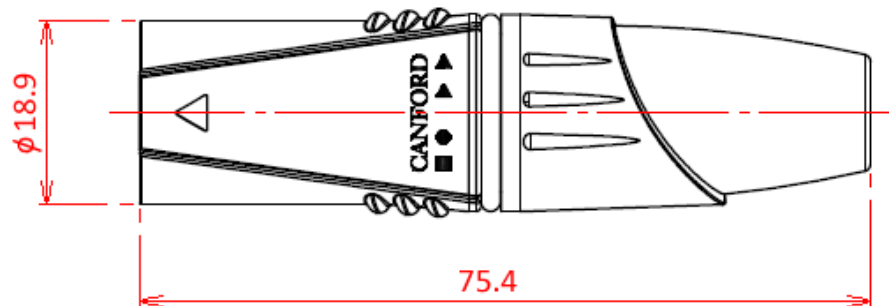
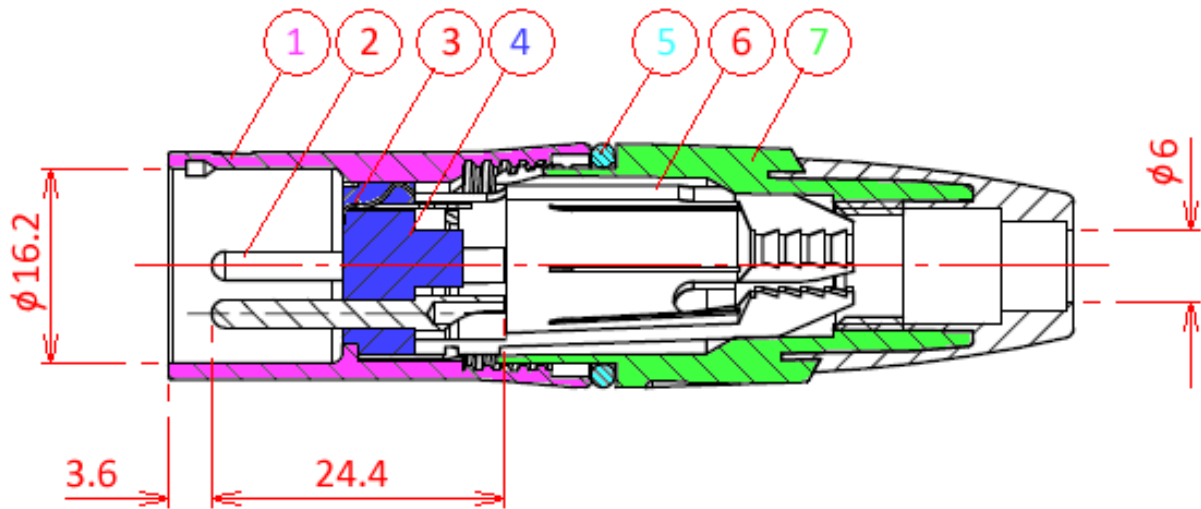




Canford XLR male cable connector featuring nickel-plated zinc diecast shells, silver-plated contacts and a triple position strain relief design. Features a reliable locking system for firm mating, ease of use and long service. Suitable for cable's types with outer diameters of 5.0 to 6.8mm as standard, smaller 3.3 to 4.8mm cables are accommodated by removing a washer, (item 5 in the diagram). Larger 7.0 to 8.0mm cables can be accommodated by removing the supplied standard white cable clamp and using a black cable gland which is an additional purchase.



Section A-A on page two of this document
 Third Angle Projection
 All dims in mm
 Not to scale



SECTION 'A-A'

Item	Description	Material	Finish
1	Die Cast Shell	ZZnAL4-1 (Zinc Alloy)	Nickel
2	Contact Pin	H59-1 (Brass)	Silver
3	Shell Ground	H62 (Brass)	Tin
4	Insulator	PA (Nylon)	Black
5	O-Ring/Washer	Silicon	Black
6	Cable Clamp	POM (Polyoxymethylene)	White
7	Cap & Cable Boot	PA6 & TPR (Nylon & Thermoplastic Rubber)	Black & Grey